

Remote Accessory Potentiometer for CBC-200 and CBC-300 Controls.

P-269-3
819-0483

Installation & Operating Instructions



⚠ WARNING Failure to follow these instructions may result in product damage, equipment damage, and serious or fatal injury to personnel.

Part Numbers

- 6011-101-003 5K ohm remote accessory potentiometer, 10 turn for level adjustments on CBC-200-2, CBC-200-2C, CBC-200-3, CBC-200-3C, CBC-300-2, CBC-300-2C, CBC-300-3, and CBC-300-3C.
- 6011-101-004 10k ohm remote accessory potentiometer, 10 turn for current adjust on CBC-200-1, CBC-200-1C, CBC-200-3, CBC-200-C3, CBC-300-1, CBC-300-1C, CBC-300-3 and CBC-300-3C.

Specifications

- 6011-101-003 5k ohm, potentiometer, 2 watts, 5% tol. 10 turn, bushing mounted
- 6011-101-004 10 k ohm potentiometer, 2 watts, 5% tol. 10 turn, bushing mounted

Cable Length

10 ft. 22 AWG, 3 conductor with shield, 60° C rating

Mounting

Panel mounted via 3/8 – 32 bushing on potentiometer

General

The remote accessory potentiometer provide for remote operation of specific CBC-200 and CBC-300 controls, combination of one or both potentiometers allow for adjustment of the output current or level applied to clutch or brake. The 5k potentiometer allows for level adjustment of both outputs between zero and maximum level. The 10k potentiometer is used for adjusting the current output.

Mounting and Installation

Select a location where the potentiometer is to be mounted. This should be such that it is within the allowable cable length supplied. (Figure 1)

Note: It is not recommended to splice the cable for longer wiring runs. If the cable length is not sufficient, then either mount the control closer to the potentiometer or relocate the potentiometer closer to the control.

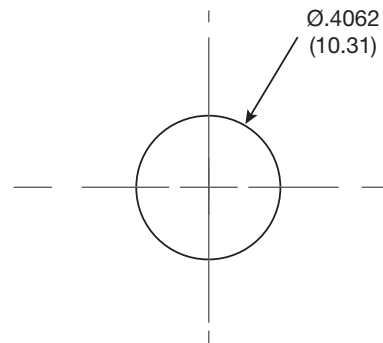


Figure 1

1. Select mounting location
2. Mark panel per Figure 1
3. Drill hole, Ø.4062" diameter for bushing
4. Mount potentiometer and secure with lockwasher and nut
5. Rotate potentiometer shaft fully counter-clockwise (CCW)
6. Rotate knob fully counter-clockwise (CCW) on indicating dial insuring that counting dial indicates "Ø" (zero) and the "Ø" is aligned to the top.
7. Mount knob assembly to pot and tighten set-screw to shaft.
8. Run wires between remote potentiometer and control using standard control practices avoiding runs with high voltage AC, motor or drive wiring and switching circuits
9. Wire unterminated end to control terminal block per appropriate wiring sections of the control manual, P269 (819-0407) or P269-1 (819-0408).

This completes the installation and wiring of your remote potentiometer assembly.

Prior to powering up unit, double check mounting to insure potentiometer lugs are not contacting anything in its proximity, wiring is run properly, and connections are made in accordance to the proper wiring section of the controls manuals.

For further technical assistance, contact your local Warner Electric Distributor, Warner Electric Representative or the Technical Support Group at the factory.

Warranty

Warner Electric LLC warrants that it will repair or replace (whichever it deems advisable) any product manufactured and sold by it which proves to be defective in material or workmanship within a period of one (1) year from the date of original purchase for consumer, commercial or industrial use.

This warranty extends only to the original purchaser and is not transferable or assignable without Warner Electric LLC's prior consent.

Warranty service can be obtained in the U.S.A. by returning any defective product, transportation charges prepaid, to the appropriate Warner Electric LLC factory. Additional warranty information may be obtained by writing the Customer Satisfaction Department, Warner Electric LLC, 449 Gardner Street, South Beloit, Illinois 61080, or by calling 815-389-3771.

A purchase receipt or other proof of original purchase will be required before warranty service is rendered. If found defective under the terms of this warranty, repair or replacement will be made, without charge, together with a refund for transportation costs. If found not to be defective, you will be notified and, with your consent, the item will be repaired or replaced and returned to you at your expense.

This warranty covers normal use and does not cover damage or defect which results from alteration, accident, neglect, or improper installation, operation, or maintenance.

Some states do not allow limitation on how long an implied warranty lasts, so the above limitation may not apply to you.

Warner Electric LLC's obligation under this warranty is limited to the repair or replacement of the defective product and in no event shall Warner Electric LLC be liable for consequential, indirect, or incidental damages of any kind incurred by reason of the manufacture, sale or use of any defective product. Warner Electric LLC neither assumes nor authorizes any other person to give any other warranty or to assume any other obligation or liability on its behalf.

WITH RESPECT TO CONSUMER USE OF THE PRODUCT, ANY IMPLIED WARRANTIES WHICH THE CONSUMER MAY HAVE ARE LIMITED IN DURATION TO ONE YEAR FROM THE DATE OF ORIGINAL CONSUMER PURCHASE. WITH RESPECT TO COMMERCIAL AND INDUSTRIAL USES OF THE PRODUCT, THE FOREGOING WARRANTY IS IN LIEU OF AND EXCLUDES ALL OTHER WARRANTIES, WHETHER EXPRESSED OR IMPLIED BY OPERATION OF LAW OR OTHERWISE, INCLUDING, BUT NOT LIMITED TO, ANY IMPLIED WARRANTIES OF MERCHANTABILITY OR FITNESS.

Some states do not allow the exclusion or limitation of incidental or consequential damages, so the above limitation or exclusion may not apply to you. This warranty gives you specific legal rights and you may also have other rights which vary from state to state.

Changes in Dimensions and Specifications

All dimensions and specifications shown in Warner Electric catalogs are subject to change without notice. Weights do not include weight of boxing for shipment. Certified prints will be furnished without charge on request to Warner Electric.



Warner Electric LLC
449 Gardner Street • South Beloit, IL 61080
815-389-3771 • Fax: 815-389-2582
www.warnerelectric.com